



Make a Statement

Commercial

240 & 260 Uninsulated

241, 242, 243, 261 & 262 Insulated



Hard Working Quality

Make a sensible investment in your business with Safe-Way Commercial Overhead Doors. These hard working doors are built with heavy-duty hardware and durable materials to provide years of maximum security, strength, and low-maintenance operation. They also come with a variety of track options and window configurations to fit your business.

Make a Statement.



Windows - available insulated or uninsulated



12 x 24

- A full vision window option in double strength glass or plexiglass is also available.



6 x 24*

* Non-insulated window available in white frame.

Section Colors



White Brown

Brown is not available with 260, 261 or 262.

Product Features & Description Chart

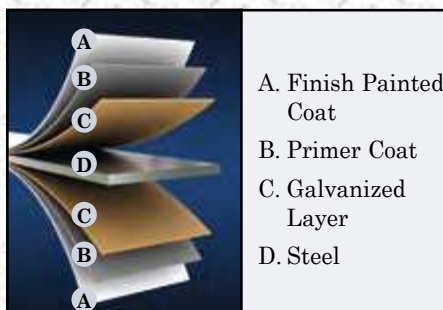
Model #	Description	Steel Gauge	R-Value	Max Width	Max Height
240	Uninsulated ribbed steel	24	N/A	24'2"	18'
241	1-3/8" insulation w/vinyl backer	24	6.0	24'2"	18'
242	1-3/8" insulation w/white aluminum backer	24	6.0	24'2"	18'
243	1-3/8" insulation w/white 26 gauge steel backer	24	6.0	24'2"	18'
260	Uninsulated ribbed steel	25	N/A	18'2"	14'
261	1-3/8" insulation w/vinyl backer	25	6.0	18'2"	14'
262	1-3/8" insulation w/white aluminum backer	25	6.0	18'2"	14'

* Consult factory on sizes beyond those listed above.

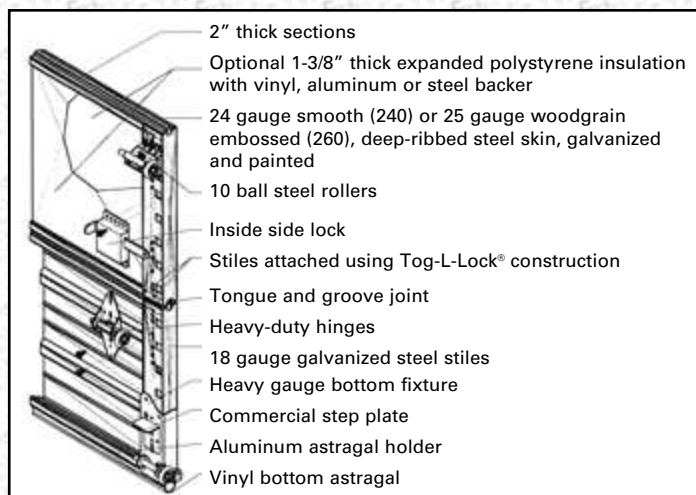
Product Features & Specifications

- Sections are 2" thick roll formed 24 gauge (models 240-243) or 25 gauge (models 260-262). End stiles are fastened with a Tog-L-Loc® joining system for superior holding power.
- Doors are finished with a three coat process in white or brown (models 240-243) and white (models 260-262). Models 240-243 have a deep rib design with a smooth finish. Models 260-262 have a deep rib design with a woodgrain embossed finish.
- Hardware is manufactured out of hot dipped galvanized steel. Hinges are 14 gauge and rollers are 10 ball bearing steel.
- Track is available in 2" or 3". Vertical Lift, High Lift, Follow the Roof Slope, and Low Headroom options are available. Consult your dealer for details.
- Doors are balanced by a torsion spring counterbalance system constructed of oil tempered torsion springs. High cycle spring options of 25,000, 50,000 or 100,000 are available.
- Doors come standard with an inside slide lock. A keyed lockbar locking system is available.
- Windows are available in rectangular shapes of 12" x 24" or 6" x 24". These are available insulated or uninsulated. A Full Vision option in double strength glass or plexiglass is also available.

Construction



- A. Finish Painted Coat
- B. Primer Coat
- C. Galvanized Layer
- D. Steel



- 2" thick sections
- Optional 1-3/8" thick expanded polystyrene insulation with vinyl, aluminum or steel backer
- 24 gauge smooth (240) or 25 gauge woodgrain embossed (260), deep-ribbed steel skin, galvanized and painted
- 10 ball steel rollers
- Inside side lock
- Stiles attached using Tog-L-Lock® construction
- Tongue and groove joint
- Heavy-duty hinges
- 18 gauge galvanized steel stiles
- Heavy gauge bottom fixture
- Commercial step plate
- Aluminum astragal holder
- Vinyl bottom astragal

Distributed by:



SAFE-WAY®
GARAGE DOORS

Make a Statement

As Safe-Way Door constantly strives to improve our product, all specifications listed in this informative brochure are subject to change without notice or obligation. Printed color may vary from actual color, please check with your local dealer for color swatches.

11-12

3814 East U.S. 30 • Warsaw, IN 46580
574-267-4861 • Fax: 574-267-2871

safewaydoor.com